



MR3DP GN 1/1



MR3EP GN 1/1



MR3FP GN 1/1

DESCRIPTIVE FEATURES

INSULATION THICKNESS 60 mm

AISI 304 STAINLESS STEEL

ROUNDED EDGES

EVAPORATOR WITH CATAPHORESIS TREATMENT

ADJUSTABLE FEET

A
C
T
I
V
A

ACCESSORIES



ACC T10
Kit 4 Castors



ACC T11
Kit Door Lock



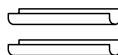
ACC T12
2 Drawers Stainless Steel



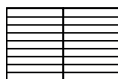
ACC T13
3 Drawers Stainless Steel



ACC T15
Glass Door and Space Lighting



ACC T20
Couple Runners
Stainless Steel "U"



ACC T27
Plastic-coated Grill
GN 1/1



Special voltages on request

TEMPERATURE CONDITIONS

+40°C / 40% UR / Cl. 5

REFRIGERANT GAS

Type

R290

CAPACITY IN LITRES



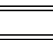
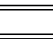
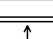






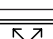
270

ENERGY LABEL (GN 1/1)

MR3P

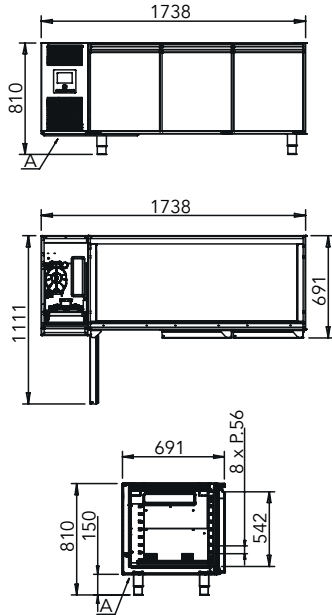
A

TECHNICAL DATA

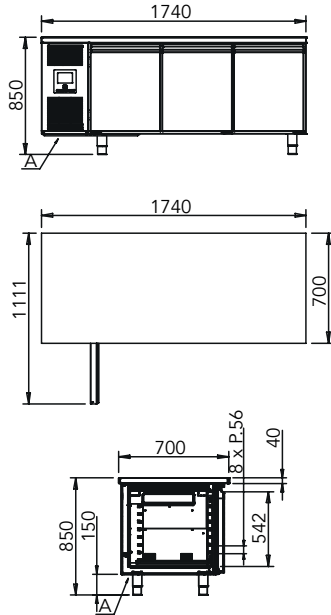
	MR3DP GN 1/1 Without Top	MR3EP GN 1/1 With Top	MR3FPGN 1/1 With Top and Upstand
 Model	MR3DP GN 1/1 Without Top	MR3EP GN 1/1 With Top	MR3FPGN 1/1 With Top and Upstand
 Version (Temp. range)	AIR 0°C+8°C	AIR 0°C+8°C	AIR 0°C+8°C
 Capacity	24 GN 1/1	24 GN 1/1	24 GN 1/1
 Standard supplied	N.3 Runners + Grills GN 1/1	N.3 Runners + Grills GN 1/1	N.3 Runners + Grills GN 1/1
 Trays pitch	56 mm	56 mm	56 mm
 Standard tension	230 V / 1 Ph 50 Hz	230 V / 1 Ph 50 Hz	230 V / 1 Ph 50 Hz
 Refrigeration Power	335 W	335 W	335 W
 Power consumption	215 W	215 W	215 W
 Defrost	•	•	•
 Dimensions	1740 x 700 x 850 mm	1740 x 700 x 850 mm	1740 x 700 x 850 mm
 Net Weight	122 kg	122 kg	122 kg
 Set-up	GN 1/1	GN 1/1	GN 1/1

DIMENSIONS

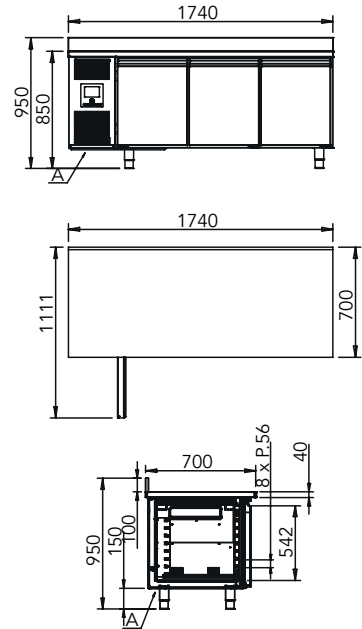
MR3DP GN 1/1



MR3EP GN 1/1



MR3FP GN 1/1



CONNECTIONS

- A Electrical connection

